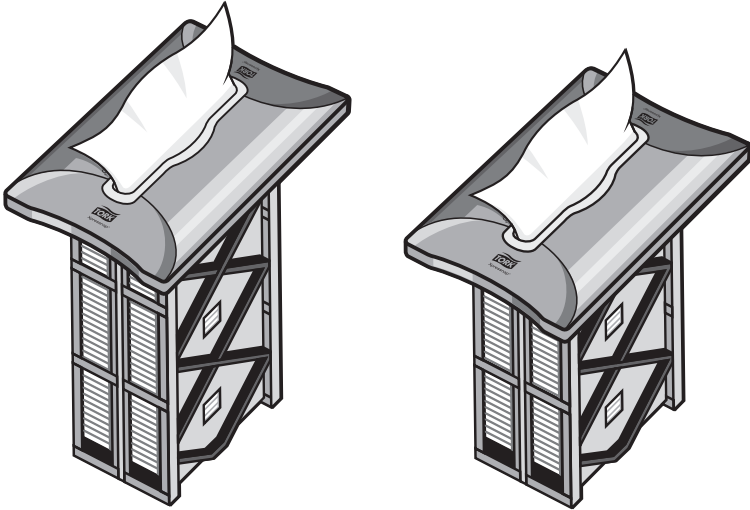


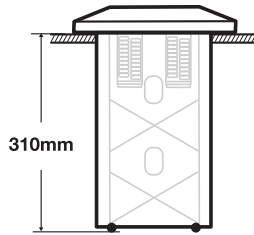
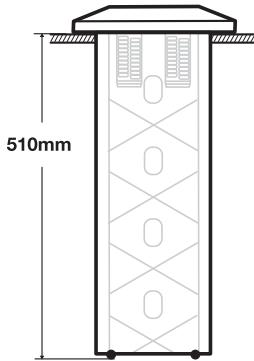
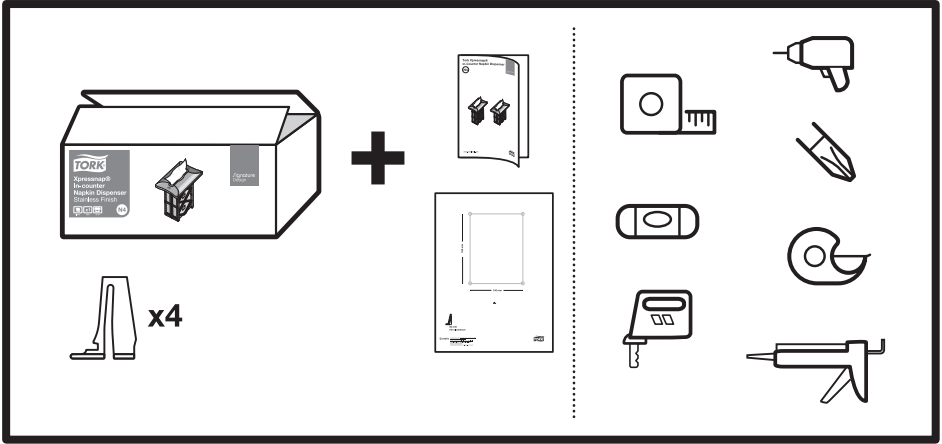
Tork Xpressnap® In-Counter Napkin Dispenser

N4

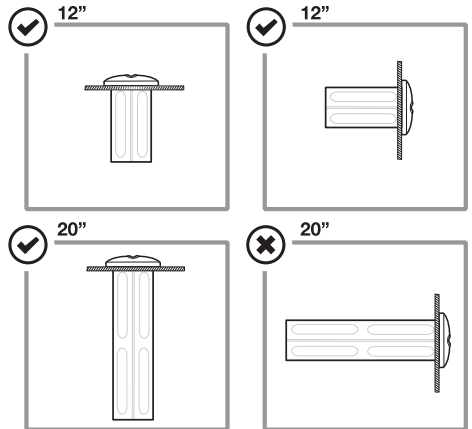
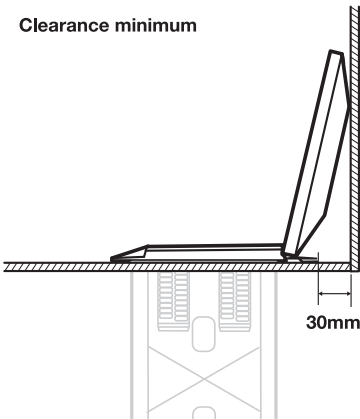
Signature
Design



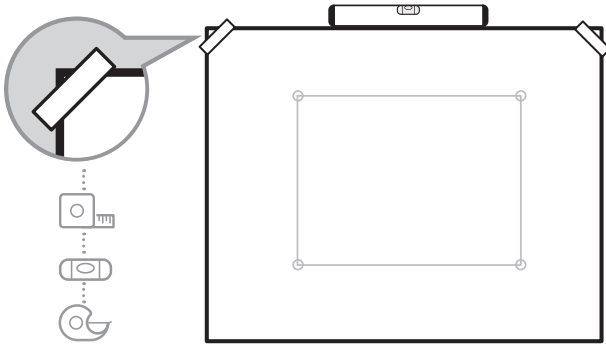
Tork Xpressnap® In-Counter Napkin Dispenser



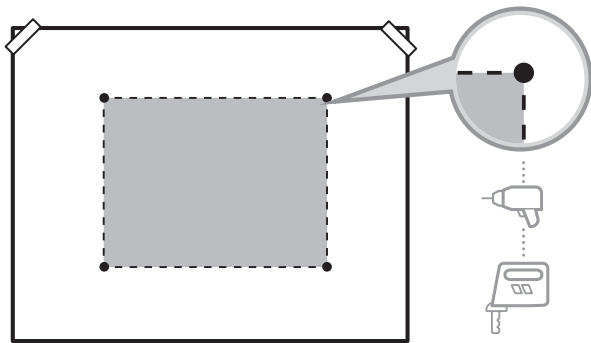
Clearance minimum



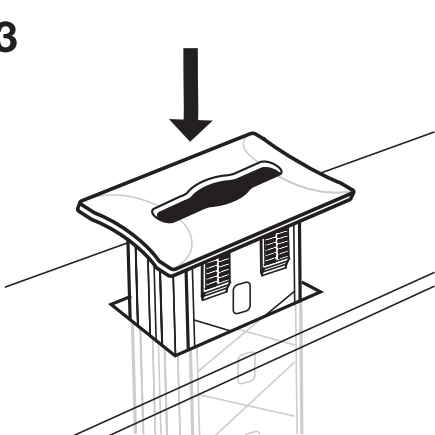
1



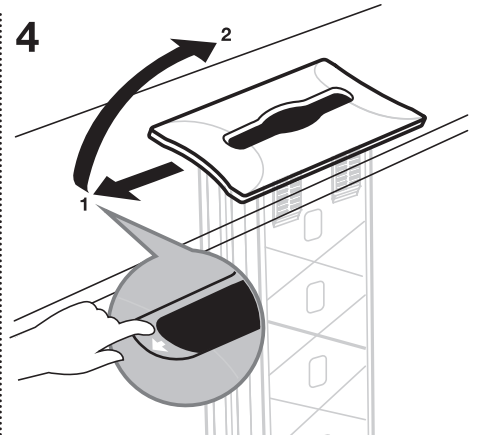
2



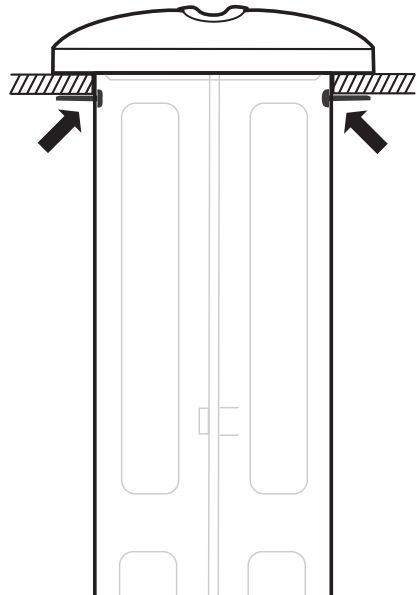
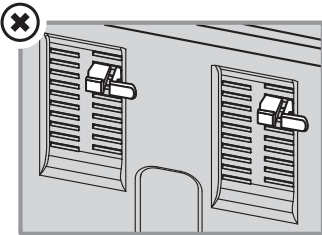
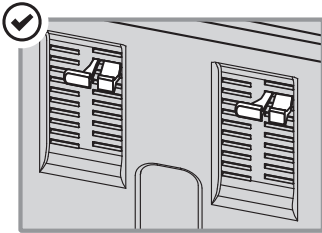
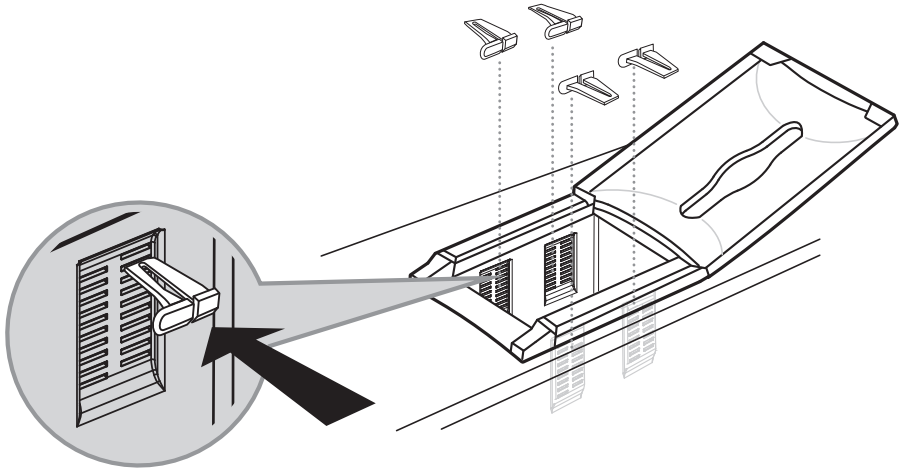
3



4

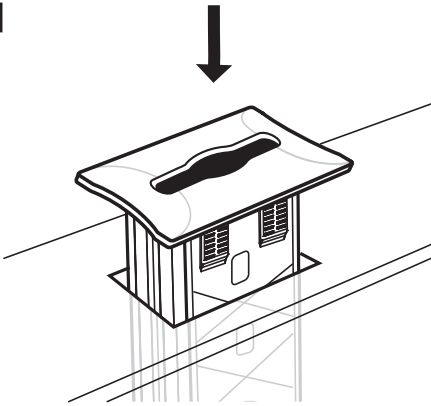


5

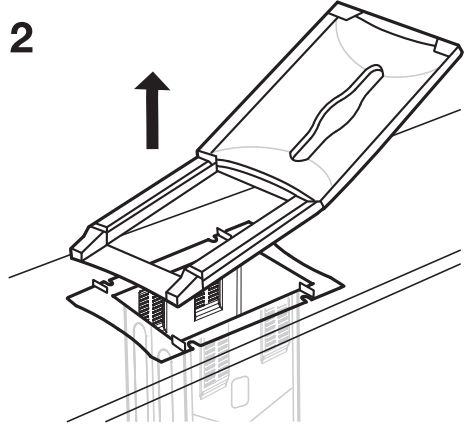


Installation - Optional methods

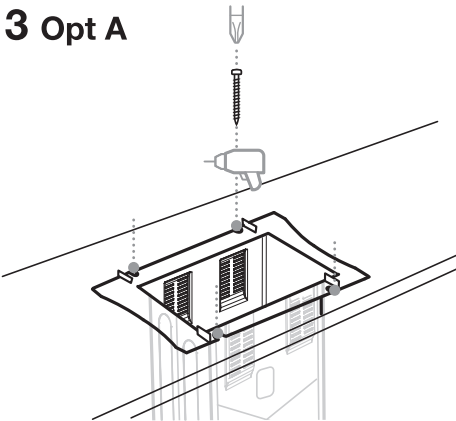
1



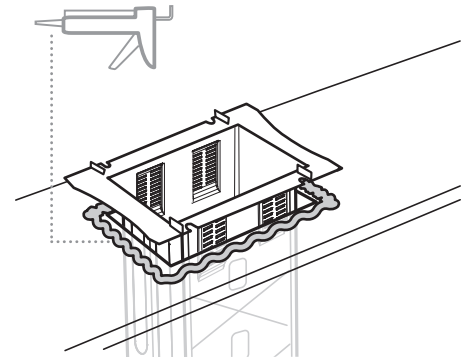
2



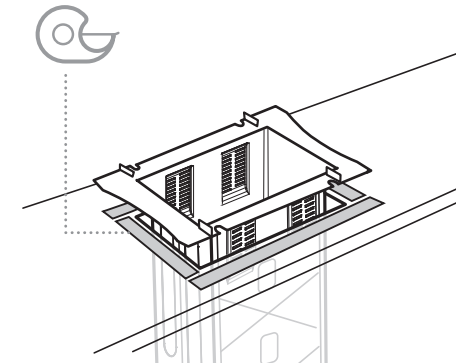
3 Opt A



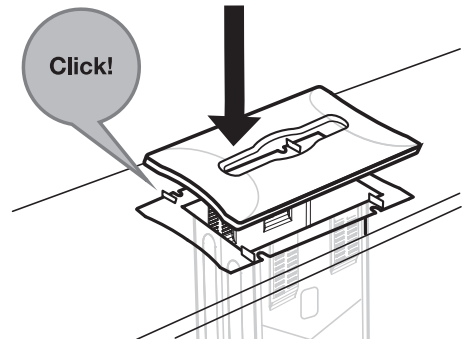
3 Opt B



3 Opt C



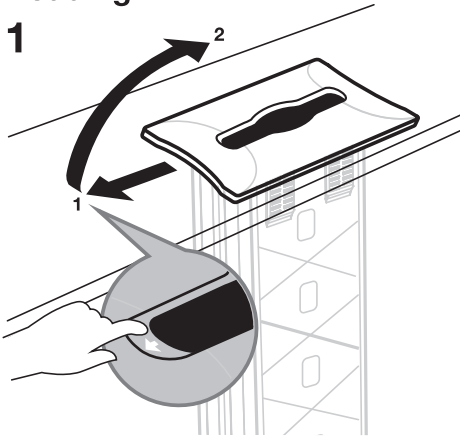
4



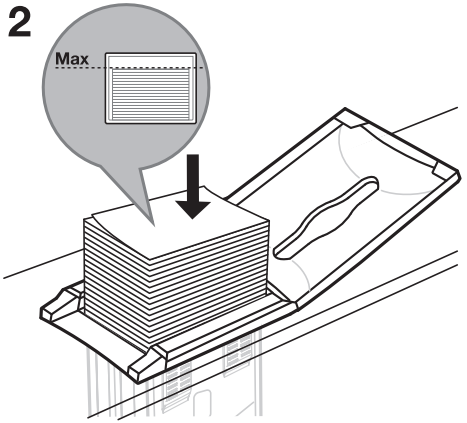
Tork Xpressnap® In-Counter Napkin Dispenser

Loading

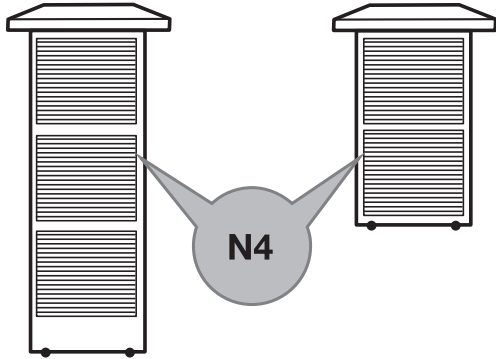
1



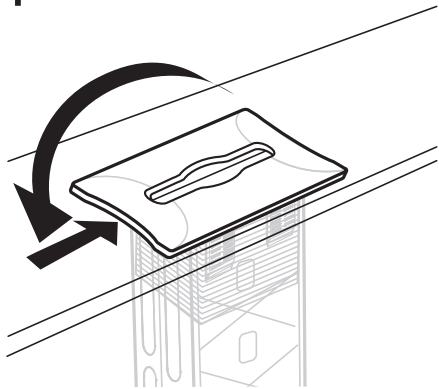
2



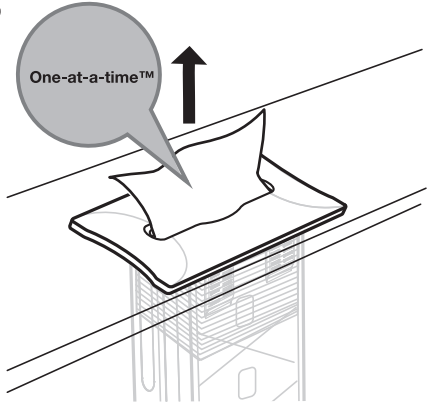
3



4



5



5

Cleaning instructions

- Use mild cleaners. Wipe with cloth using soap and water.
Do not use abrasives. Dispenser is not dishwasher safe.

European Community Design Registration RCD 001293070



Manufactured by Essity Hygiene and Health AB
SE-40503 Göteborg, Sweden
Visiting address: Mölndals Bro 2, Mölndal
www.essity.com, www.torkglobal.com
Made in United States
Patents/Brevets/Patentes: www.essity.com/patents