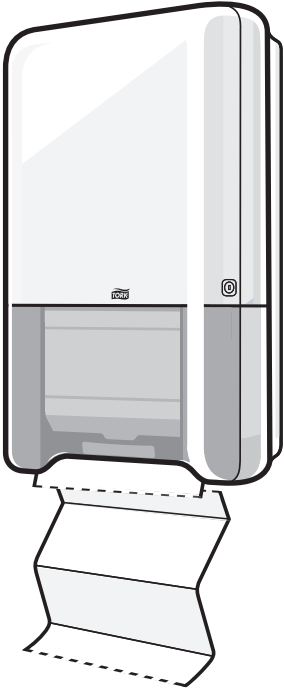


Tork PeakServe® Mini Continuous™ Hand Towel

Elevation
Design

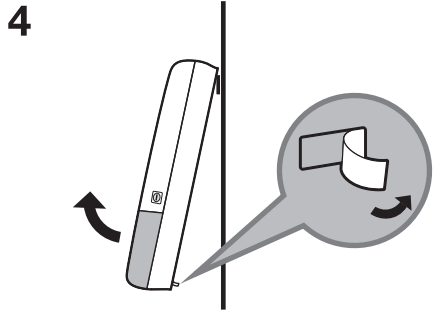
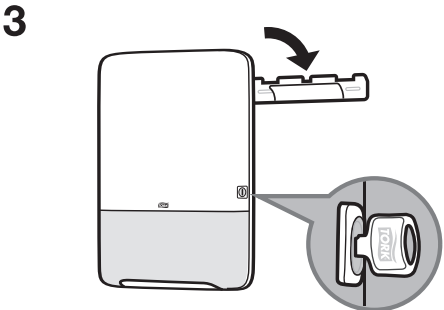
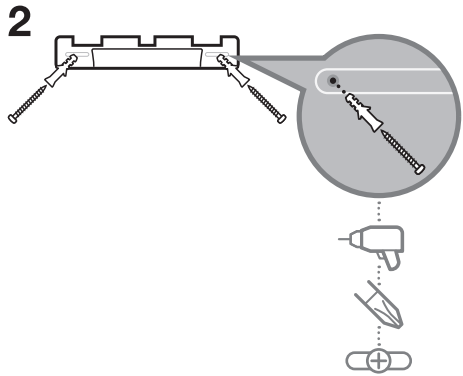
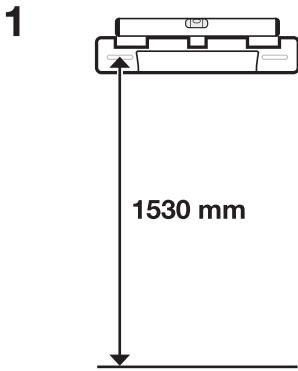
H5



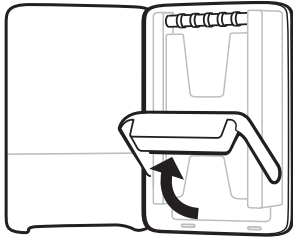
Tork PeakServe® Mini Continuous™ Hand Towel

Parts list for installation:

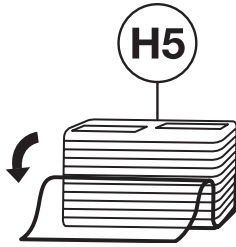
- 1 x Tork PeakServe Mini Continuous Hand Towel Dispenser (H5)
- 1 x Installation Manual
- 1 x Key
- 1 x Keyhole Cover
- 4 x Screws
- 4 x Spacers
- 1 x 6mm Drill Bit
- 1 x Pencil
- 1 x Square



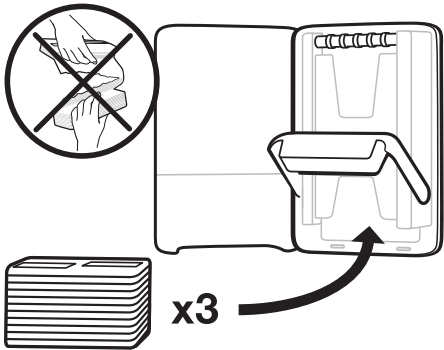
5



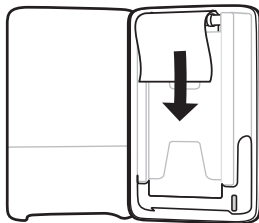
6



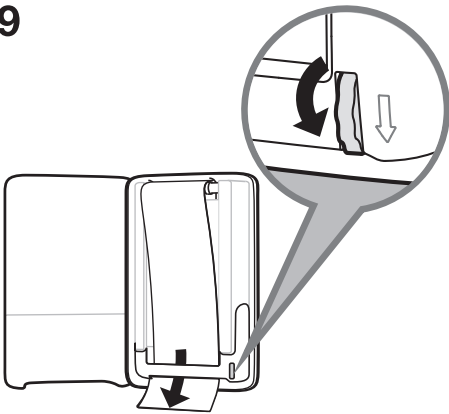
7



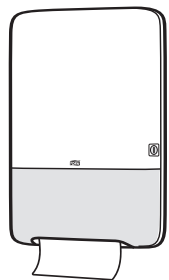
8

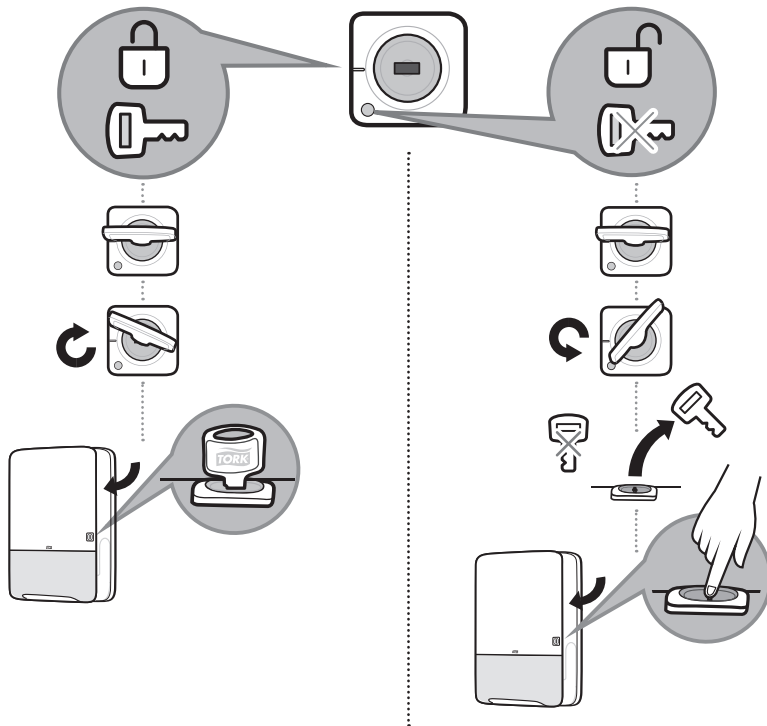


9



10





Disposal

- Damaged or malfunctioning product should be disposed of immediately to avoid potential of injury
- Products should be disposed of in accordance with applicable regulations

Cleaning instructions

- Clean dispenser with mild detergent and soft cloth



Manufactured by Essity Hygiene and Health AB
 SE-40503 Göteborg, Sweden

Visiting address: Möndals Bro 2, Möndal

www.essity.com, www.torkglobal.com

Made in Poland

Patents/Brevets/Patentes: www.essity.com/patents

Essity UK Limited
 Southfields Road, Dunstable,
 Bedfordshire, LU6 3EJ, UK